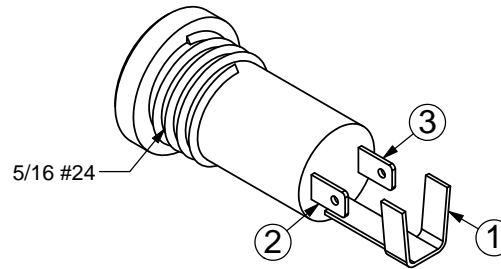
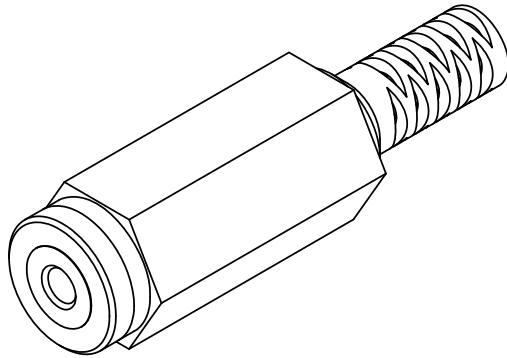
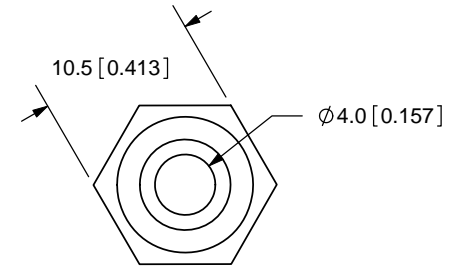
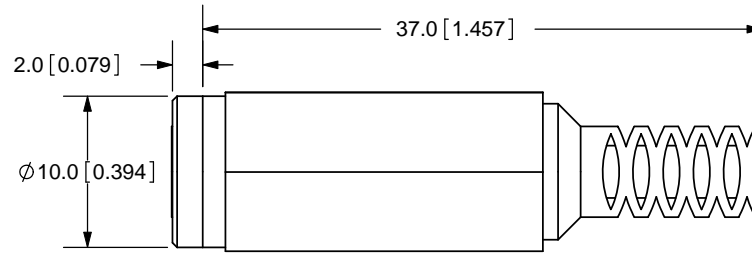
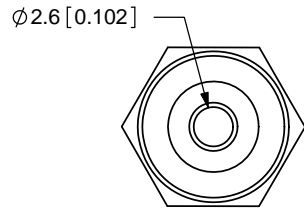


REV.	DESCRIPTION	DATE
A	NEW DRAWING	7/17/2006
B	pin schematic added	12/5/2006
C	added pin designations	9/2/2008



HOUSING DETAIL DRAWING

TOLERANCE:  
±0.3mm UNLESS OTHERWISE  
SPECIFIED



MODEL NO.	SR-2501
SCHMATIC	

**SPECIFICATIONS:**  
CONTACT RESISTANCE: 50m OHMS MAX  
INSULATION RESISTANCE: 100M OHMS MIN: 500V DC  
VOLTAGE WITHSTAND: 500V AC R.M.S. FOR 1 MINUTE  
LIFE: 5,000 CYCLES

	MATERIAL	PLATING
TERMINAL 1	Brass	Nickel
TERMINAL 2	Phosphor Bronze	Nickel
TERMINAL 3	Phosphor Bronze	Gold
INSULATOR	Brass	Gold
CAP	PE	
HOUSING	PA	



20050 SW 112th Ave.  
Tualatin, OR 97062  
Phone: 503-643-4899  
800-275-4899  
Fax: 503-372-1266  
Website: www.cui.com

TITLE:	IN-LINE STEREO JACK	REV:	C
PART NO.	SR-2501	UNITS:	MM [INCHES]
DRAWN BY:	ZRJ	APPROVED BY:	
		SCALE:	2:1

PC FILE NAME:  
SR-2501

COPYRIGHT 2008 BY CUI INC.